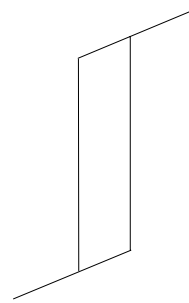


# Mag Amp Toroids

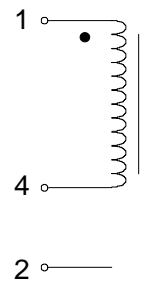
Saturable Reactor Coils designed for Switching Power Supply Applications from 20 kHz to beyond 100 kHz with multiple outputs for tight tolerance.

Simplifies Control Circuit Design

Reduces Component Count while increasing Power Density



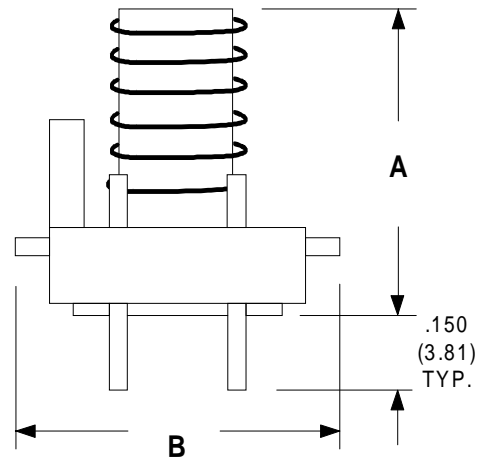
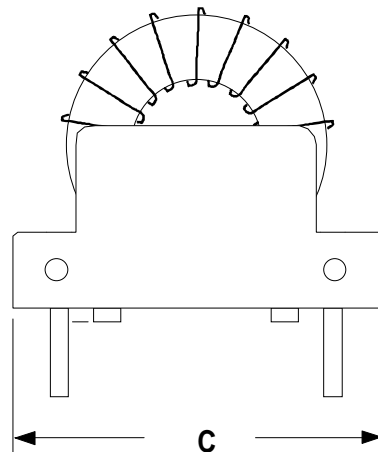
Schematic



Part Number	I* (Amps)	E-T (V- $\mu$ S)
L-14300	1.00	93
L-14301	1.00	133
L-14302	1.00	372
L-14303	5.00	42
L-14304	5.00	66
L-14305	5.00	186

Part Number	Dimensions Inches (mm)		
	A	B	C
L-14300	.850 (21.59)	.650 (16.51)	.825 (20.96)
L-14301	1.00 (25.4)	.650 (16.51)	.825 (20.96)
L-14302	1.25 (31.75)	.650 (16.51)	1.15 (29.21)
L-14303	.90 (22.86)	.550 (13.97)	.825 (20.96)
L-14304	1.05 (26.67)	.550 (13.97)	.825 (20.96)
L-14305	1.30 (33.02)	.550 (13.97)	1.15 (29.21)

\* 40°C Temp. Rise



Lead Dia. 0.040" (1.02) Typ.

Footprint

